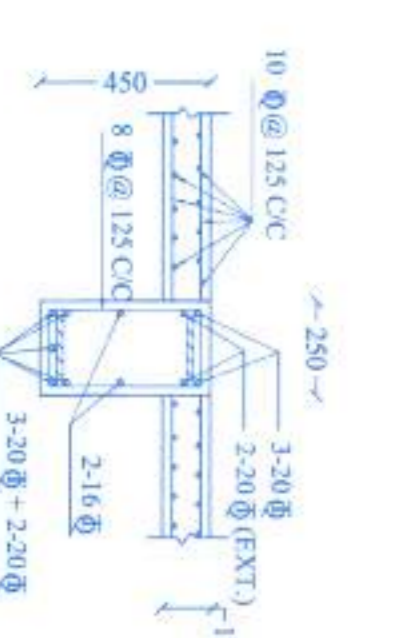
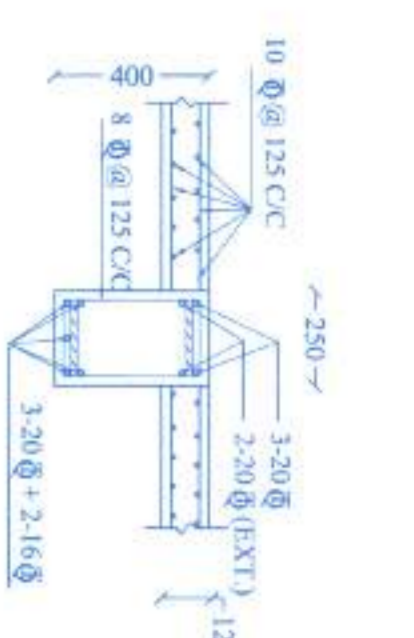


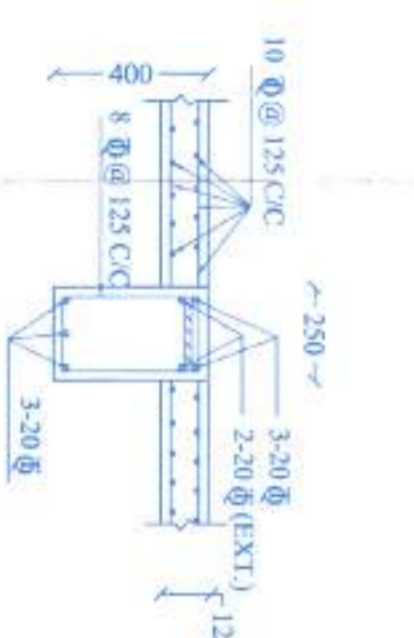
PROPOSED G+4 STORED BUILDING PLAN IN FAVOUR OF SRI UDAY KUMAR SINGHA, SRI SUJOY KUMAR SINGHA, SRI MALOY KUMAR SINGHA & SRI TAPAS KUMAR SINGHA ON PLOT NO.- 609 & 610, KHAYAN NO. - 1759, 1760, 1761 & 1762 J.L. NO.- 143 AT MOUZA- PARBATIPUR, WARD NO.- 13, UNDER TAMRALIPTA MUNICIPALITY, P.S.- TAMLUK, DIST.- PURBA MEDINIPUR.



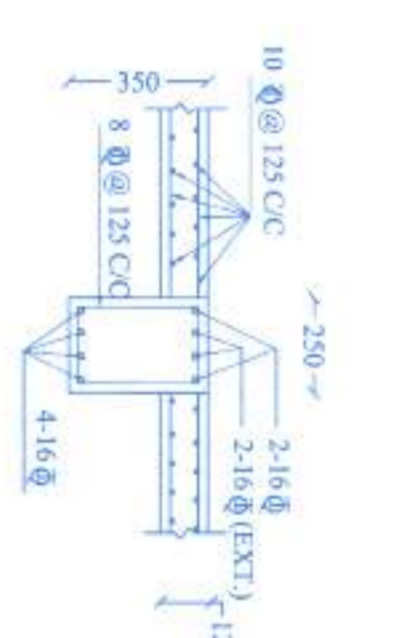
DET. OF FLOOR BEAM (FB)



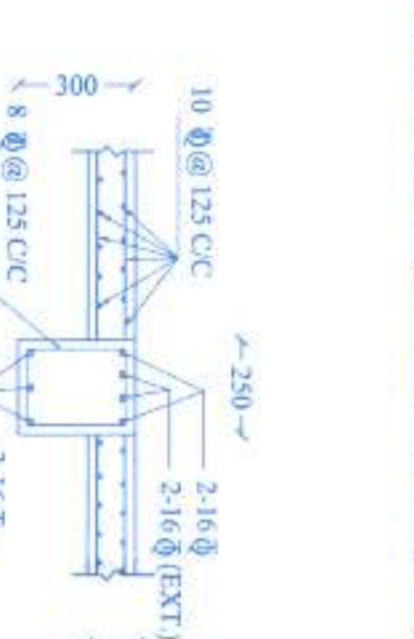
DET. OF FLOOR BEAM (FB1)



DET. OF FLOOR BEAM (FB2)

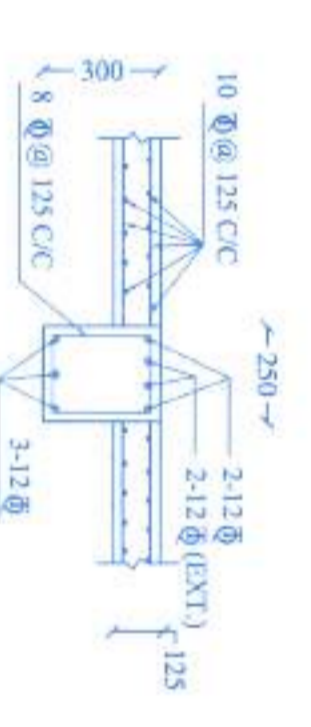


DET. OF FLOOR BEAM (FB3)



DET. OF FLOOR BEAM (FB4)

DETAILS OF R.C.C. LINTEL & CHAJIA



**SCHEDULE OF PUNTH AND FLOOR BEAM**

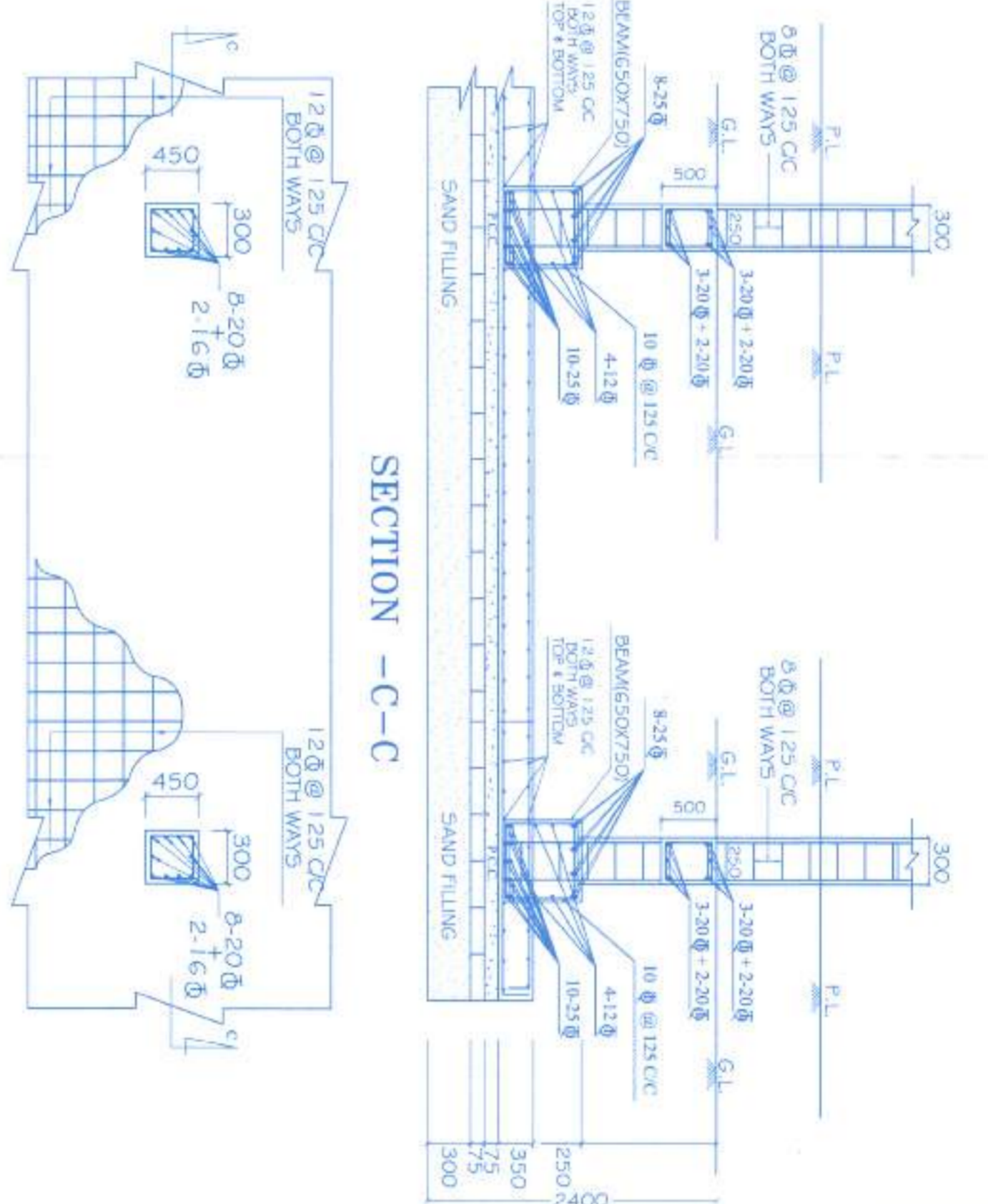
BEAM	SIZE	REINFORCE STEEL	STIRRUPS
FB	250	450	3-20@-2.20@ (EXT. TOP)
FB1	250	400	3-20@-2.20@ (EXT. TOP)
FB2	250	350	3-20@-2.20@ (EXT. TOP)
FB3	250	300	3-16@-2.16@ (EXT. TOP)
FB4	250	300	3-16@-2.16@ (EXT. TOP)
FBS	250	300	3-12@-2.12@ (EXT. TOP)

**SCHEDULE OF COLUMN**

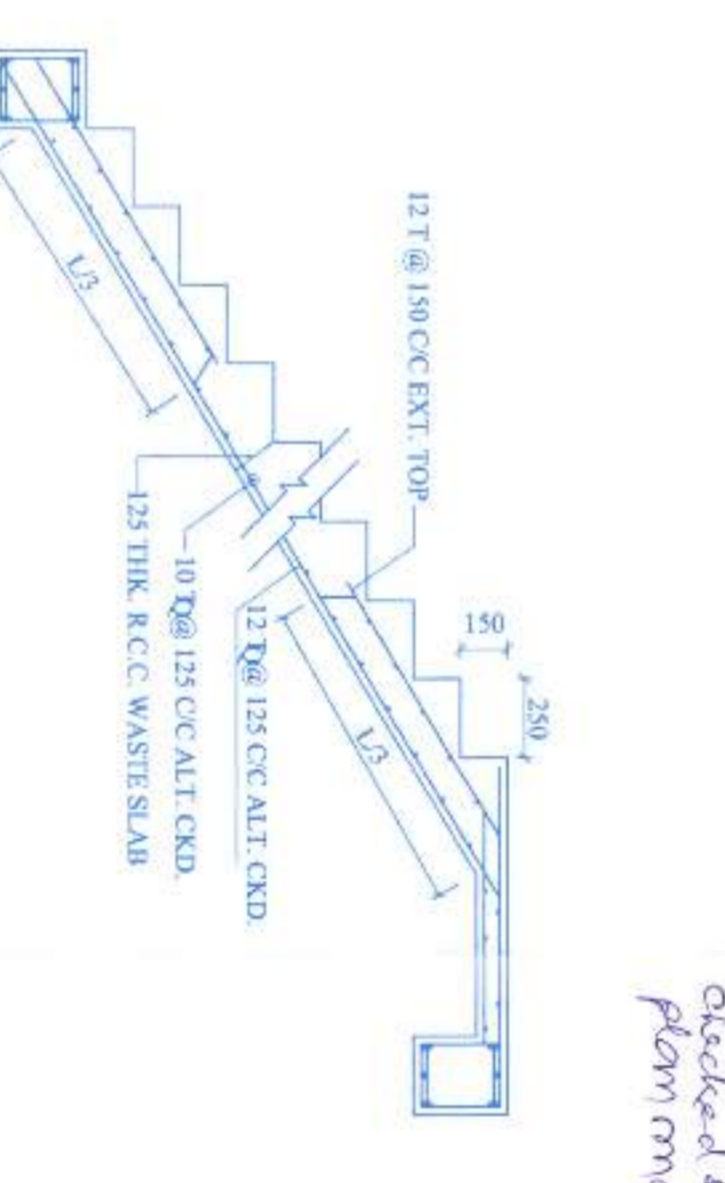
TYPE	SIZE	REINFORCEMENT STEEL
C1	300X300	8-20@-1.20@ 8-20@-1.20@
C2	300X300	8-20@-1.20@ 8-20@-1.20@
C3	300X300	8-20@-1.20@ 8-20@-1.20@
C4	250X250	8-16@-1.16@ 8-16@-1.16@

**SCHEDULE OF FOUNDATION**

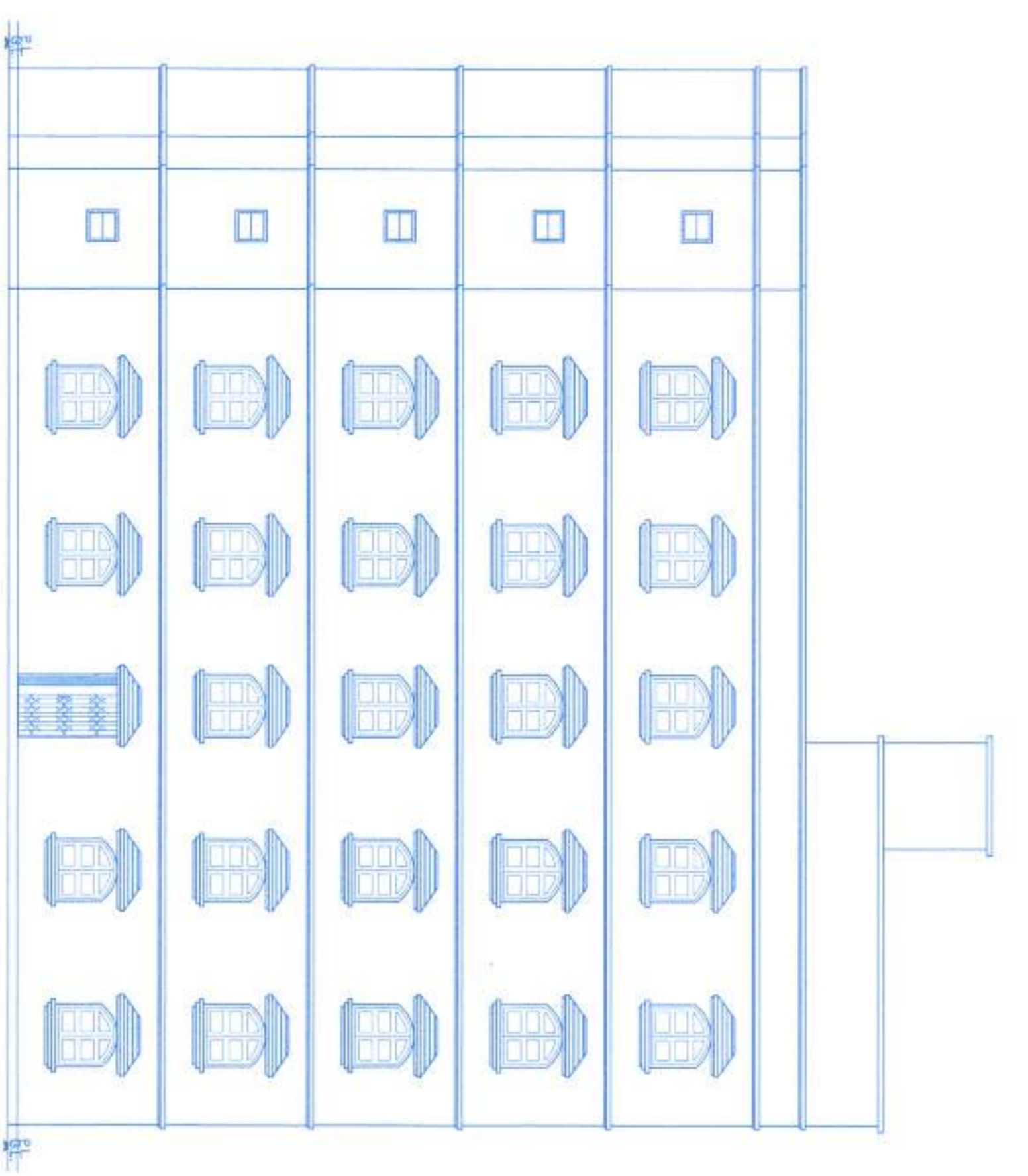
TYPE	FOOTING SIZE	BOTTOM REINFORCEMENT	TOP REINFORCEMENT
F1	1200	125 C/C BOTH WAYS	125 C/C AT TOP



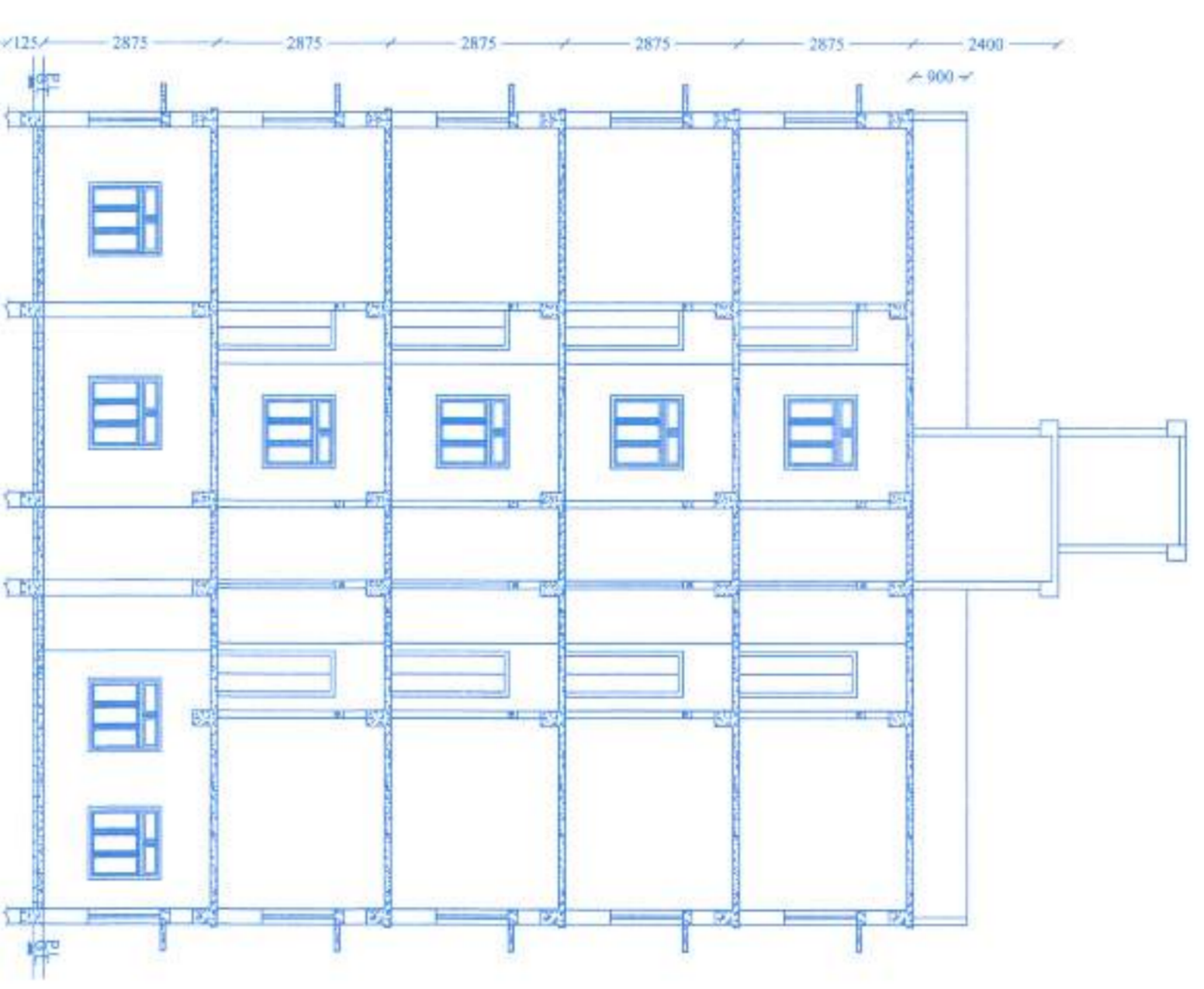
SECTION -C-C



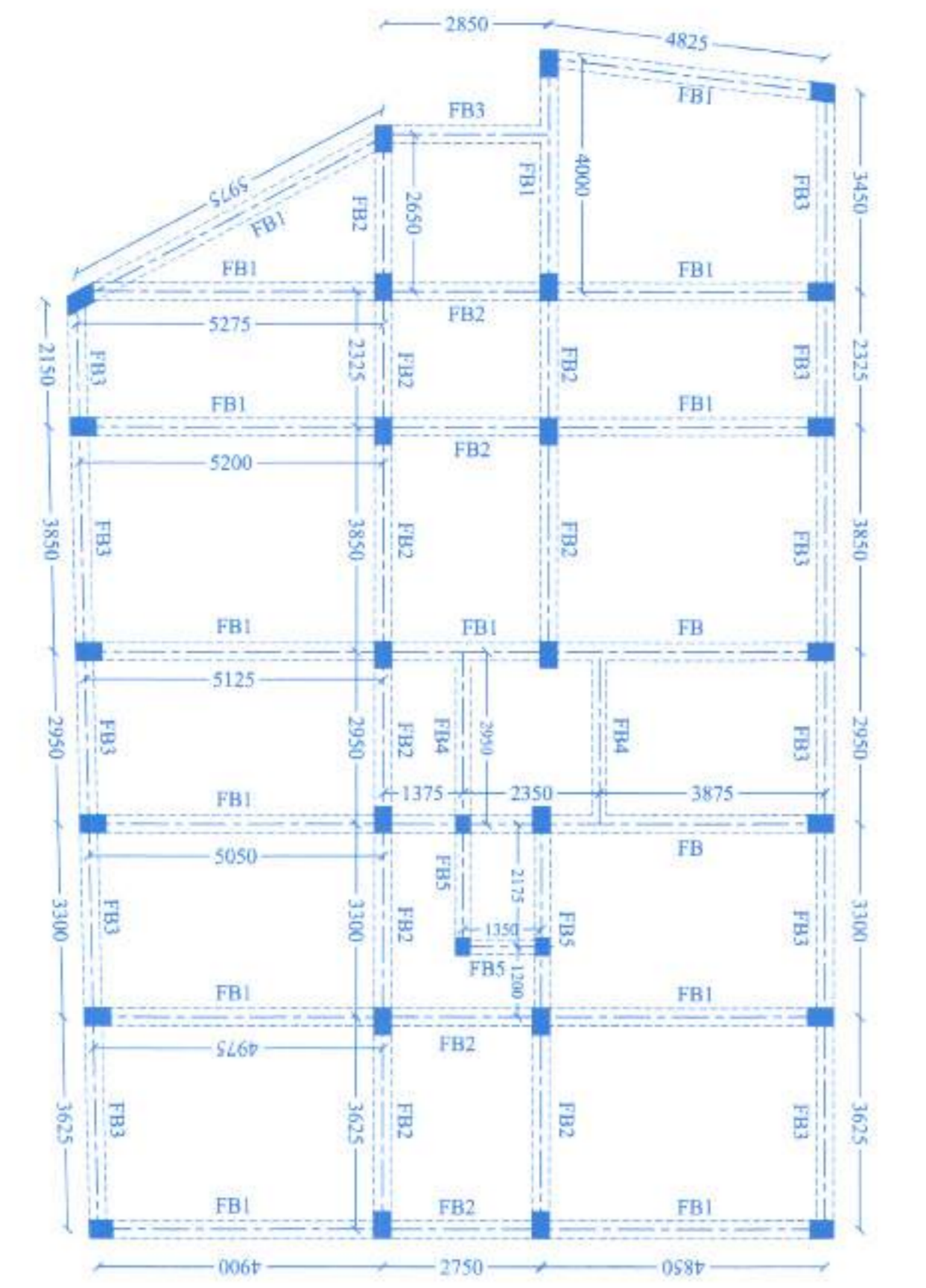
DETAILS OF R.C.C. STAIR SLAB



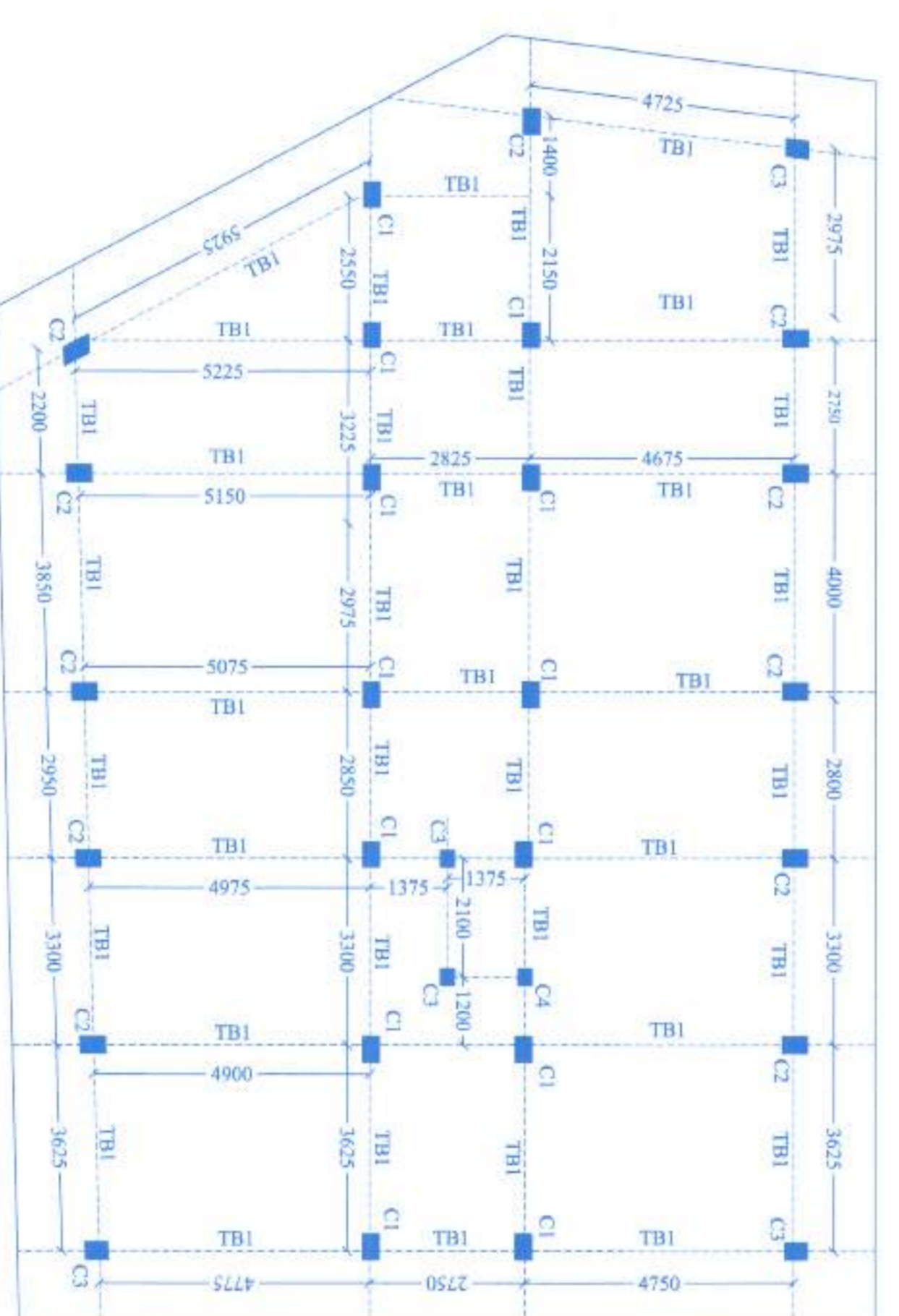
FRONT ELEVATION (SCALE - 1:100)



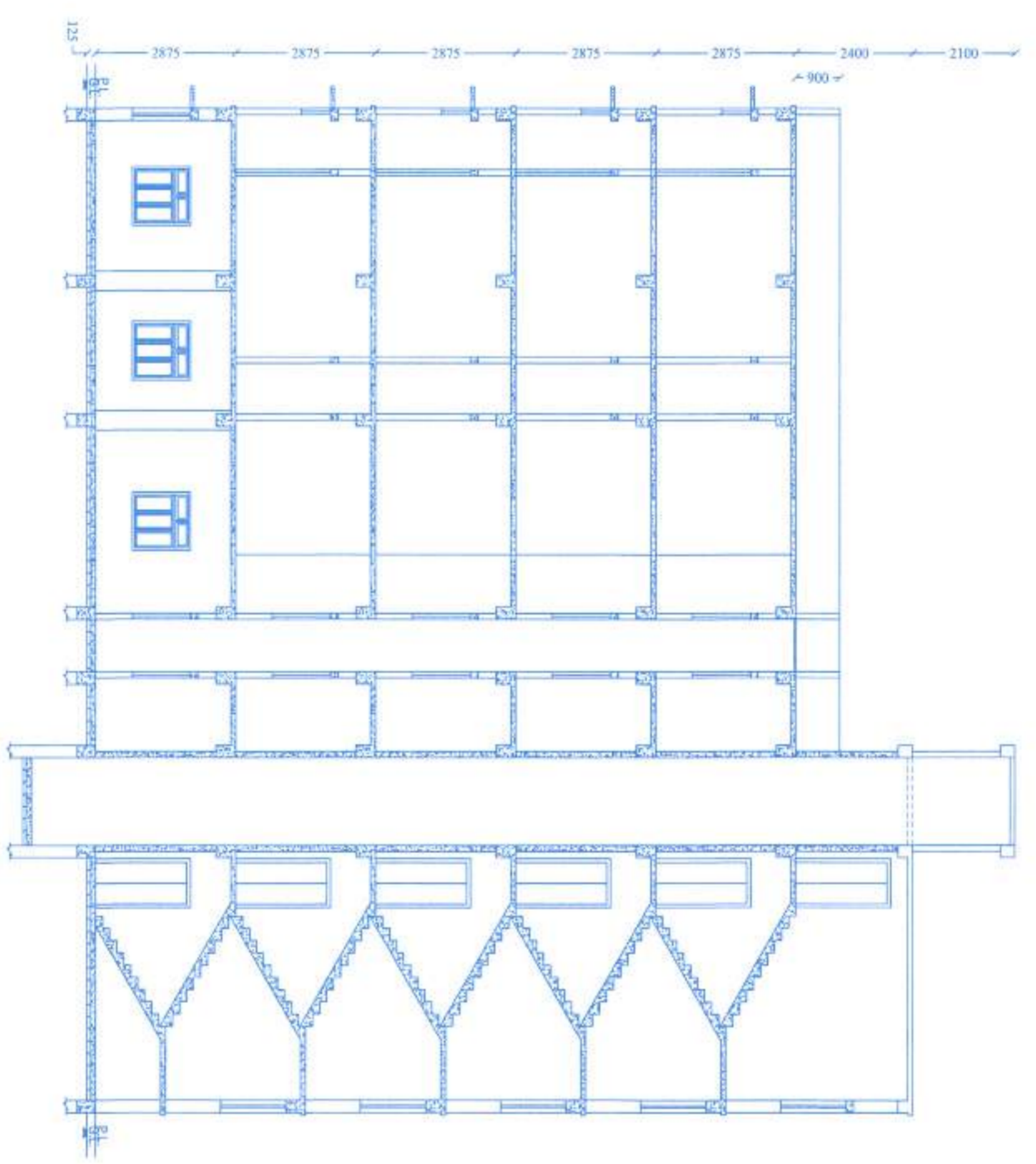
SECTION B-B (SCALE - 1:100)



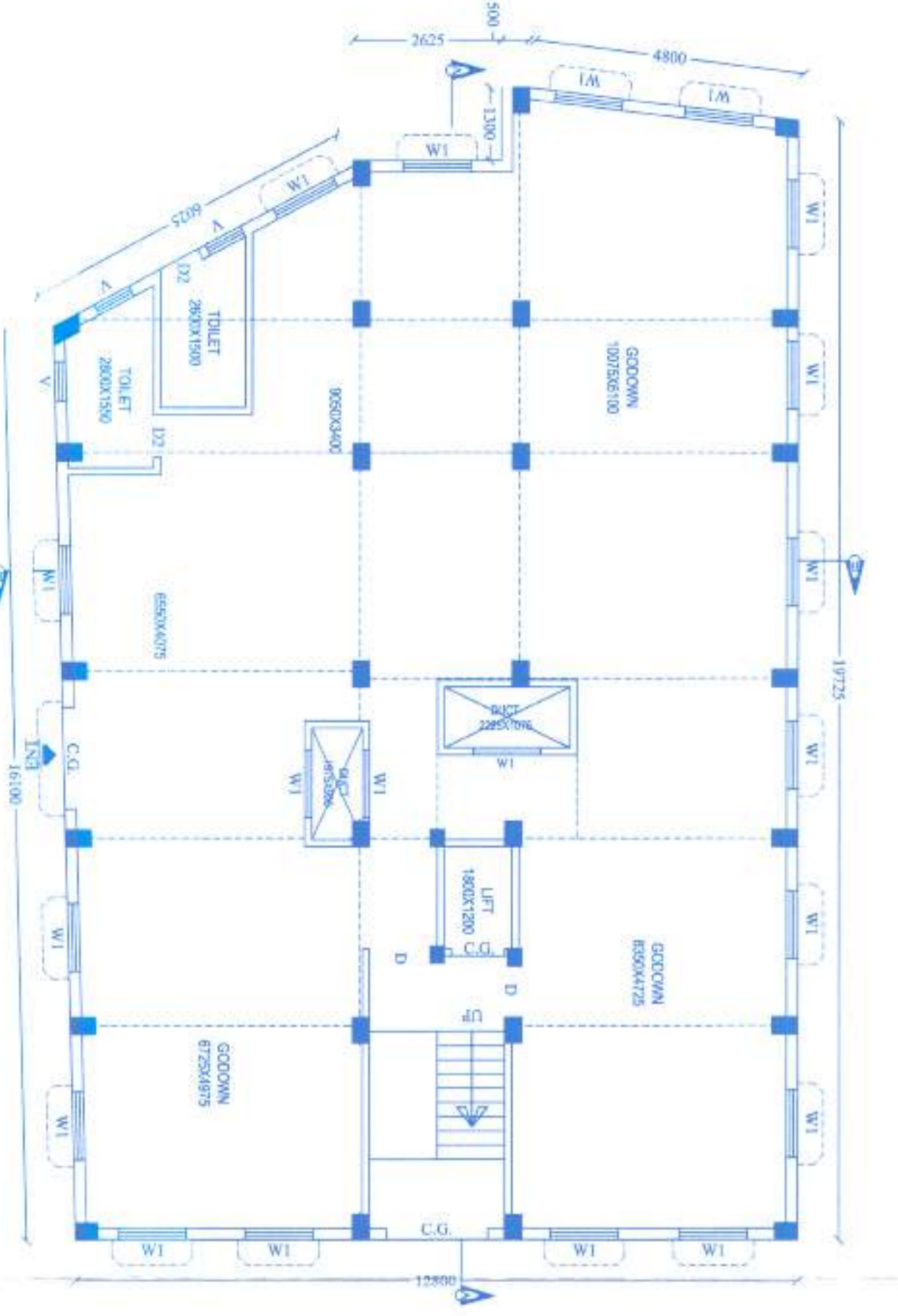
LAYOUT PLAN FOR ROOF BEAM (SCALE - 1:100)



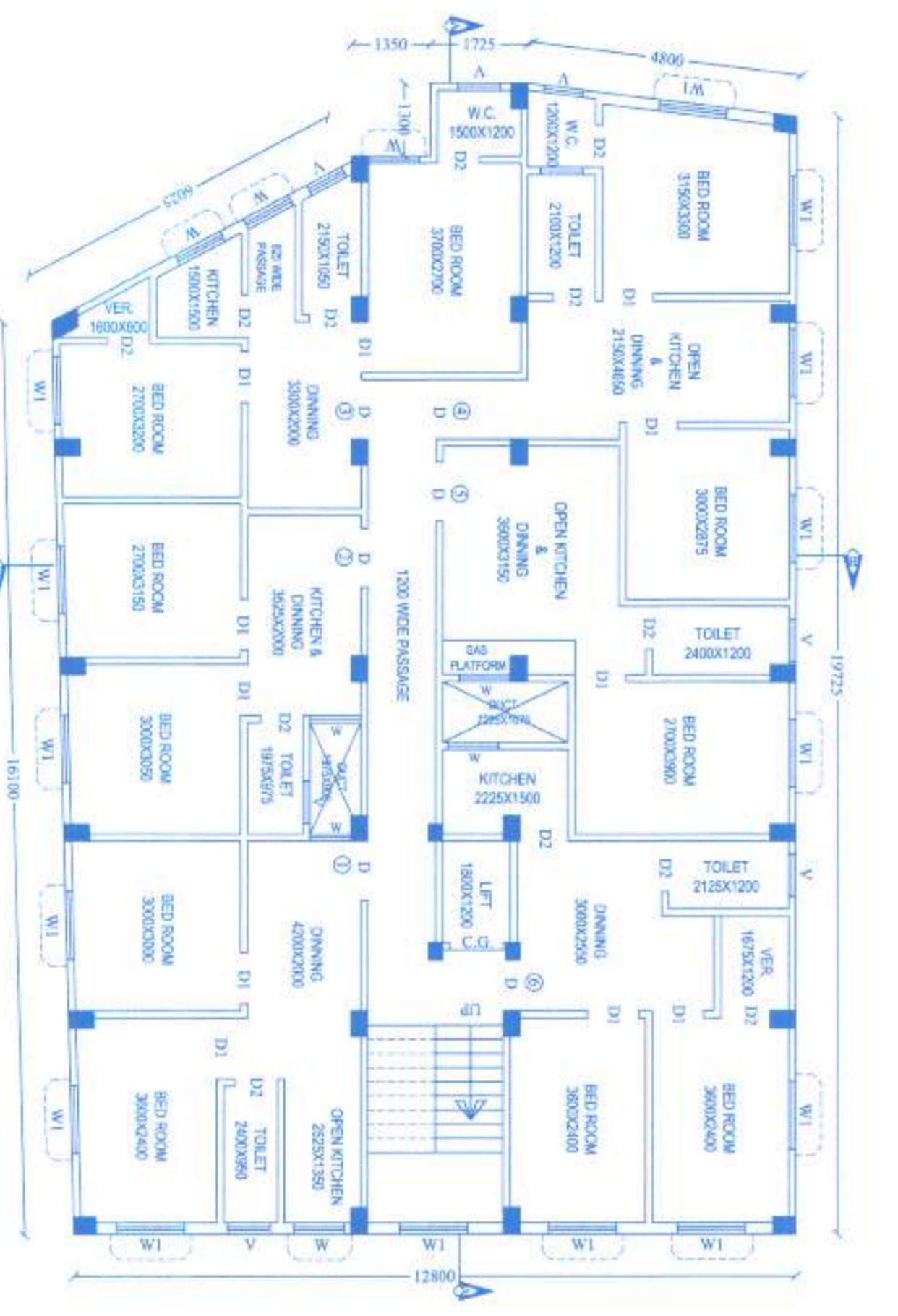
LAYOUT PLAN FOR RAFT FOUNDATION (SCALE - 1:100)



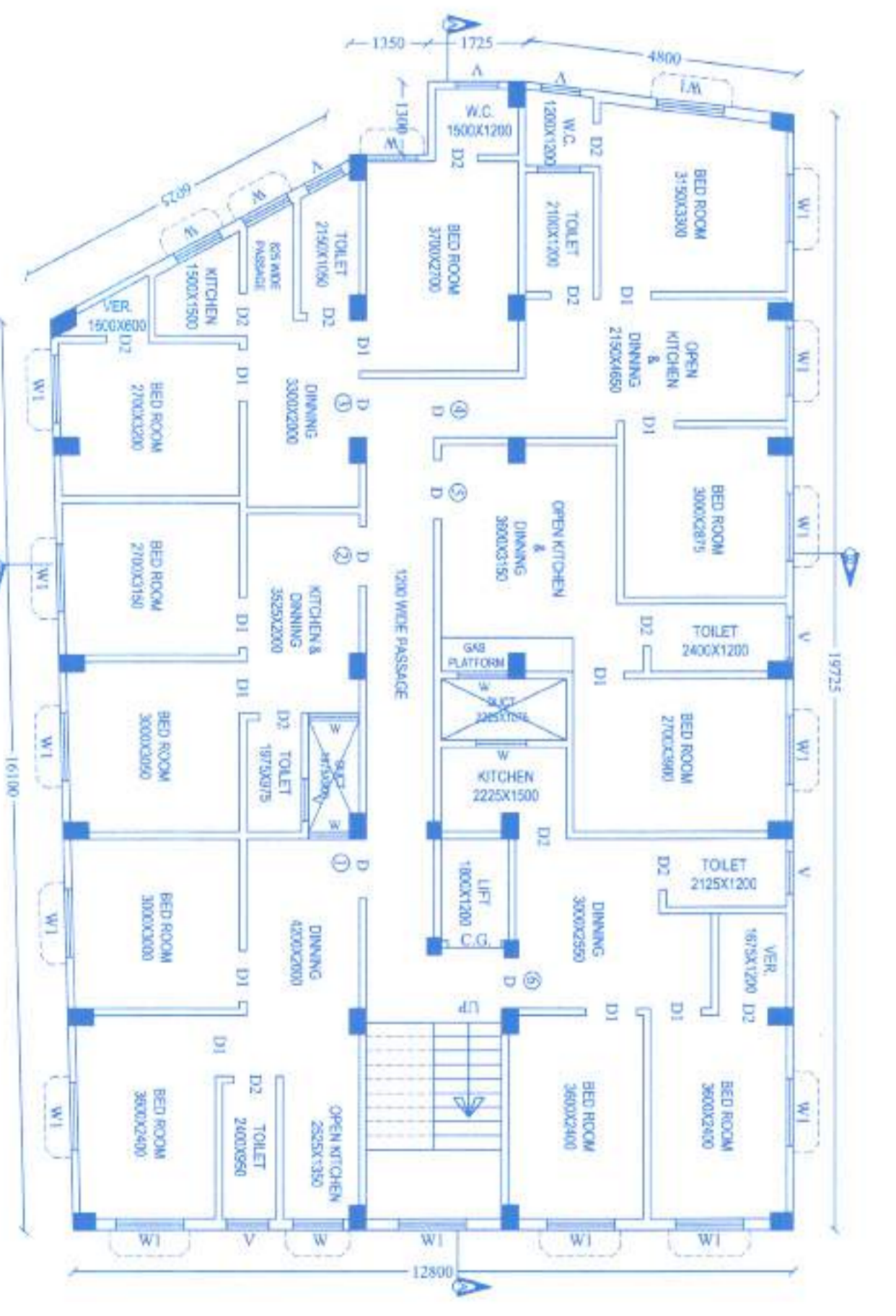
SECTION A-A (SCALE - 1:100)



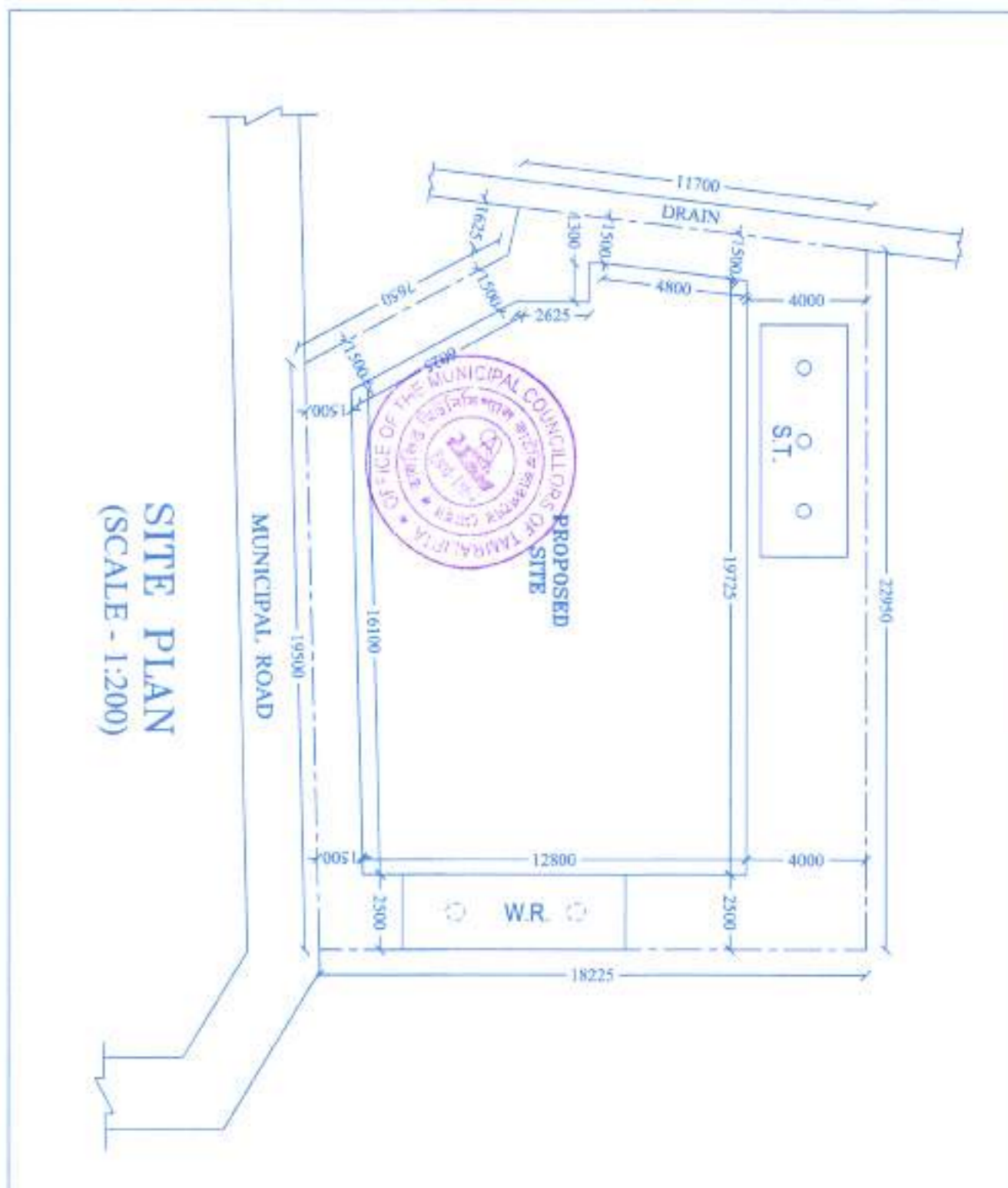
GROUND FLOOR PLAN (SCALE - 1:100)



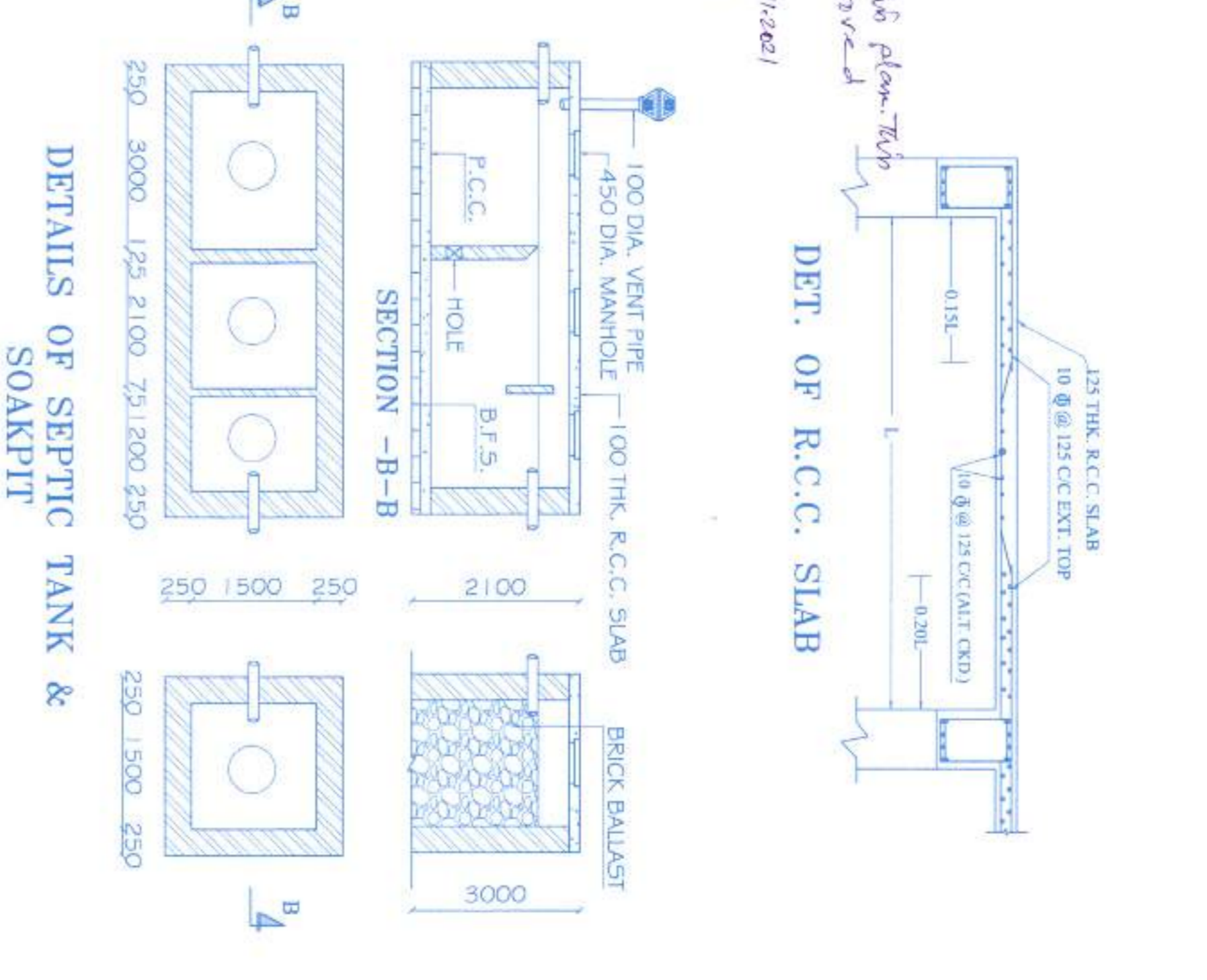
FIRST FLOOR PLAN (SCALE - 1:100)



TYPICAL SECOND, THIRD & FOURTH FLOOR PLAN (SCALE - 1:100)



SITE PLAN (SCALE - 1:200)



DETAILS OF R.C.C. SLAB & SOAKPIT

**NOTES :-**

1. ALL DIMENSIONS ARE IN METERS UNLESS OTHERWISE STATED.
2. BRICK WORK IN CEMENT AND SAND MORTAR SHALL BE FOLLOWED.
3. GRADE OF CONCRETE M-20 - 10TH(1:1.5:4).
4. GRADE OF STEEL F-415.
5. GRADE OF SOIL 90, 90M2.
6. COVER TO REINFORCEMENT COLUMN-25MM, SLAB-12MM.
7. STAIR CASE TRADE-107 RISER-6".
8. UNDERSIGNER HAS INSPECTED THE SITE PERSONALLY AND VERIFIED THE SITE WITH THE HELP OF MOUZA-MAN, WHICH I FOUND IN ITS CORRECT POSITION. THE OTHER CO-OWNERS HAVE GIVEN NO OBJECTION IN RESPECT OF THE SAID SITE. THE STRUCTURE DESIGN INCLUDING THAT OF FOUNDATION HAS BEEN MADE ON THE BASIS OF RECOMMENDATIONS A FINDING OF THE GEOTECHNICAL ENGINEER.

**DOORS & WINDOWS SCHEDULE**

M.K.D	WIDTH	HEIGHT
C.G.	1.800	2.100
D	1.050	2.100
D1	900	2.100
D2	750	2.100
W	900	1.350
W1	1.200	1.350
V	6000	450
R.S.	3000	2400

**COVER AREA :-**

- AREA OF LAND :- 10.691 DECMAL
- GROUND FLOOR COVER AREA :- 245.13 SQ.M.
- FIRST FLOOR COVER AREA :- 261.05 SQ.M.
- SECOND FLOOR COVER AREA :- 261.05 SQ.M.
- THIRD FLOOR COVER AREA :- 261.05 SQ.M.
- FOURTH FLOOR COVER AREA :- 261.05 SQ.M.



**OWNERS SIGNATURE**

Uday Kumar Singha  
Srijoy Kumar Singha  
Maloy Kumar Singha  
Tapas Kumar Singha

**SIGNATURE OF AUTHORITY**

Srijoy Kumar Singha  
Project Engineer  
TAMRALIPTA MUNICIPALITY  
TAMLUK, PURBA MEDINIPUR

**SIGNATURE OF ENGINEER**

Dr. Biman Bera  
Checked by: Biman Bera